

## PROCEDURE FOR THE STUDY OF ELECTRONIC DEVICES BY VIRTUAL INSTRUMENTATION

NICOLAE PĂTRĂȘCOIU<sup>1</sup>, CECILIA ROȘULESCU<sup>2</sup>

**Abstract:** In this paper, we present the hardware and software structures for a laboratory stand used to interactive study electronic devices based on the physics functionality of these. The entire laboratory stand is created using various National Instruments. This equipment generates the input signals and also receives the electronic response signals. For various electronic circuits or devices, software applications can be created in the LabView graphical development environment, in particular, in this paper, the application is built for the study of semiconductor diode.

**Keywords:** p-n junction characteristic, MyDAQ, DiscoveryStudio, LabVIEW.

### 1. INTRODUCTION

The use of virtual instrumentation for both learning and research offers a number of advantages over hardware structures based on measuring devices with manual data logging, including:

- the generation of signals with very precise shapes and amplitudes and at very well-determined moments of time,
- automatic data retrieval and processing,
- graphical interfaces that allow users to effectively control the computer or device they interact with,
- virtual instruments through their interfaces offer the user:
  - ✓ clarity, that's means recognizable features and elements that are intuitive to interact with,
  - ✓ consistency which helps the users feel at ease and in control of their actions,
  - ✓ accessibility which makes all users feel comfortable, at ease, and in control when using a software product.

---

<sup>1</sup> Associate Prof. Eng. Ph.D. at the University of Petroșani, nicolaepatrascoiu@upet.ro

<sup>2</sup> Professor, Grigore Geamănu School, ceciliarosulescu@yahoo.com

The LabView is one of the most important means of creating the virtual instruments, is the abbreviation for Virtual Instrument Engineering Workbench and is a graphical programming language that allows teachers, scientists, and engineers in various fields to develop and implement interactive programs that will enable the acquisition of data from different equipment, analysis, and data processing and then displaying results with reports, graphs or charts. The LabView programming environment has many functions, libraries, and subprograms that allow the creation of highly complex programs that can be used in any branch of engineering [5].

The development of virtual laboratories that allow the training of students in various engineering fields using online technologies based on the LabView programming environment has preoccupied developers for over 20 years [3]. Thus, we meet virtual tools used to train students in the field of power electronics without them having to have the necessary physical equipment, all taking place in a simulated environment [4]. Hardware-in-the-loop simulators for teaching laboratories are also a useful learning aid [1].

For students and also for researchers is most important to repeat an experiment many times to understand all the basic concepts in unfolding the analyzed phenomenon or circuit and the use of virtual instrumentation offered by an experimental lab has revealed that students understand the concepts presented much better and their feedback is extremely encouraging in terms of the impact on them of this learning method [6].

There are various ways to create software applications for creating virtual laboratories using the LabView programming environment, so there are virtual tools that allow you to perform various simple experiments from analyzing different signals [2] to remote control of a DC motor [7].

Therefore, using LabVIEW can develop applications that can be accessed through a browser with minimum requirements of each computing system [8].

In this paper, we present an application written in LabVIEW used to draw the static characteristic of a rectifier diode. This application is included in a large project on the subject of using virtual instrumentation in studies of electronics devices and circuits.

## **2. HARDWARE STRUCTURE**

In electronic devices and circuits studies is most important to know the compartment of these, which can be appreciated by performance characteristics. There are two types of performance characteristics of measuring instruments which are: static characteristics and dynamic characteristics. The static characteristics are used to measure quantities that slowly vary with time or are mostly constant with time and for electronic devices like diodes the current-voltage characteristic or IV characteristic is usually used.

### **a) Some theoretical consideration**

For the rectifier diode it is known that the equation of the static characteristic deduced considering the density and mobility of the charge carriers is:

PROCEDURE FOR THE STUDY OF ELECTRONIC DEVICES  
BY VIRTUAL INSTRUMENTATION

---

$$I_D = I_0 \left( e^{\frac{qV_D}{kT}} - 1 \right) \quad (1)$$

where:

$I_D$  – the direct current flowing through the diode in direct polarization;

$I_0$  – the inverse current, the diode leakage current density in inverse polarization;

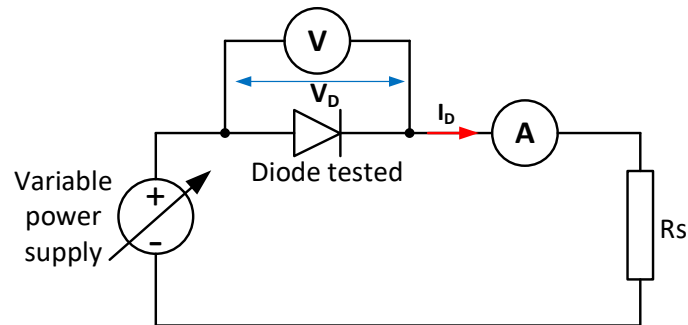
$V$  – applied voltage across the terminals of the diode;

$q$  – absolute value of electron charge;

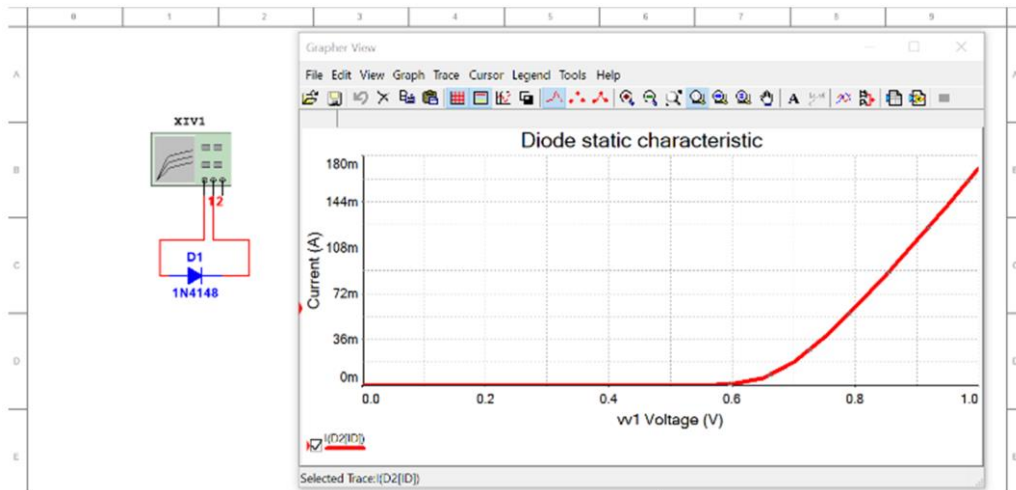
$k$  – Boltzmann's constant;

$T$  – absolute temperature (°K).

The principle electrical diagram for drawing the diode characteristic for direct polarization is presented in Fig.1.



**Fig.1.** The principle electrical diagram



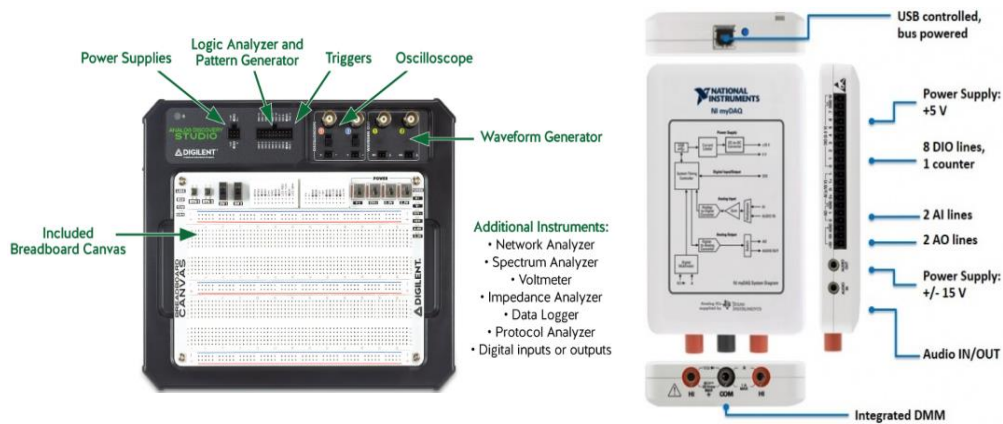
**Fig.2.** Static characteristic drawn in Multisim

The procedure for drawing the characteristic consists in modifying the voltage provided by the variable power supply and registering the pairs of current-voltage values. By interpolating them, the characteristic graph is drawn.

Based on these principle electrical diagram and procedure the static characteristic can be draw using a proper software application like NI Multisim how is shown in Fig.2

### b) The experiment setup

For the realization of the experiment, was used specialized equipment produced by Agilent and National Instruments, as follows: Analog Discovery Studio for the implementation of the adjustable power supply function and the MyDAQ acquisition module for the implementation of the voltage and current measurement functions.



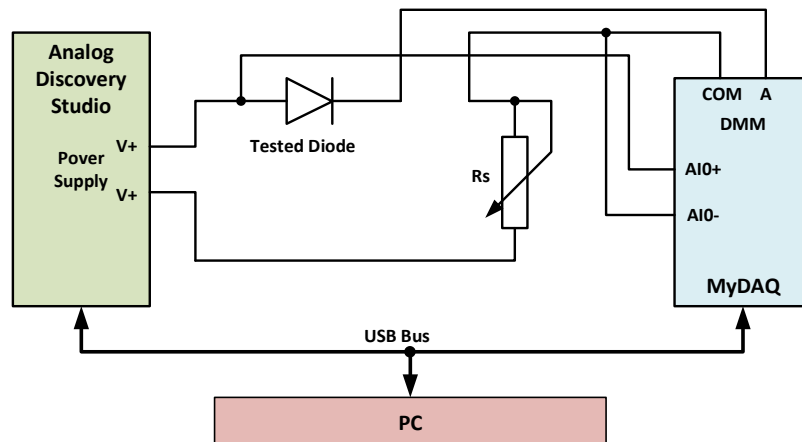
**Fig.3.** Equipment used in experimental assembly

The Analog Discovery Studio is a fully functional, portable test and measurement device that can turn any cross-functional space into a pop-up electronics laboratory. This equipment includes the Power Suppliers and other 13 instruments such as Oscilloscope, Logic Analyzer, Spectrum Analyzer, Waveform Generator, and more. The Analog Discovery Studio provides an entire stack of bench-top instruments with a convenient, replaceable, and breadboardable interface. For this application, one of the 3 available power sources is used, namely the Variable power supply for which the generation, with a resolution of 12 bits, of a voltage in the range (0 ... 5) V can be programmed.

MyDAQ is a data acquisition device that combines a comprehensive set of plug-and-play computer-based lab instruments with high portability and usage. This device is used for the virtual realization of the voltmeter by using the analog input AI0 in differential connection as well as the ammeter by using the current input of the included DMM multimeter.

The experimental electrical connections of the tested diode to the used device, Analog Discovery Studio module, MyDAQ module and software host computer are shown in Fig.4

The control of the power supply, as well as the acquiring and the processing of the measured values, are performed by resident software in the PC computer to which the used devices are connected via the USB bus.



**Fig.4.** The experimental electrical connections

### 3. SOFTWARE IMPLEMENTATION

The virtual instrument that we propose in this paper is built in the LabVIEW graphical programming environment. This consists of the program through which is possible to draw the static characteristic of the electronic device based on the hardware experiment structure described above.

#### a) Algorithmic description of the virtual instrument

In Fig.5. is shown the realization algorithm for this experiment that involves setting the values of the DC voltage organized in an array and reading the resulting DC current.

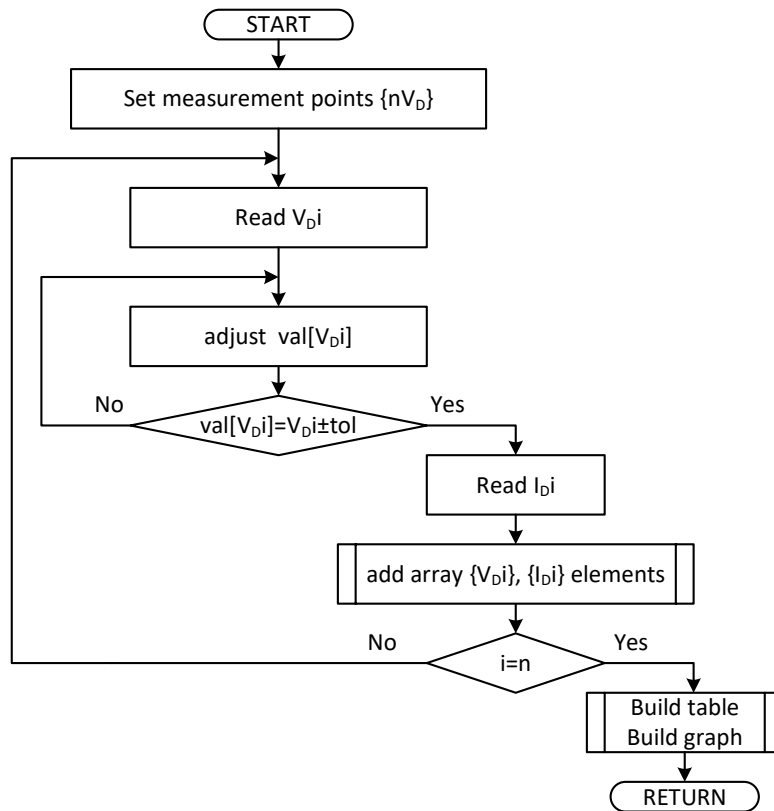
For this experiment, a series of values is established, in the form of an array, of an independent parameter that is the voltage  $V_D$  across the diode. The acquisition of the current through the diode is made by adjusting the value of the  $V_{Di}$  until reaching the prescribed value through the mentioned table of values, also with specified tolerance.

The effective realization of a measurement supposes the fulfilment of the condition by which by adjusting the parameter  $val[V_{Di}]$  the set value  $V_{Di}$  is reached, with the tolerance  $tol$  also established to it:

$$val[V_{Di}] = V_{Di} \pm tol \quad (2)$$

Once this condition is met, the other value that's mean  $I_{Di}$  is read from the MyDAQ device through USB bus. All read values, including those of the considered parameter, are deposited in arrays  $\{V_{Di}\}$  and  $\{I_{Di}\}$  for a later use.

The number of loops, and thus implicitly the number of read values is determined by the size of the array initially established by setting the parameter values. The program reads the number of set values  $nV_D$  of the parameter and thus sets the number of loops through which the bus is read.



**Fig.5** Algorithm of the experiment

Once determined the sets of values  $\{V_{Di}\}$ ,  $\{I_{Di}\}$  they can be used, depending on the application necessary, in this case for the construction of value tables and graphs of evolution of the voltage and current quantities.

### b) Front Panel of the Virtual Instrument

The front panel of the virtual instrument represents the user interface and includes controls for generating commands and data as well as indicators for displaying the results obtained from data processing.

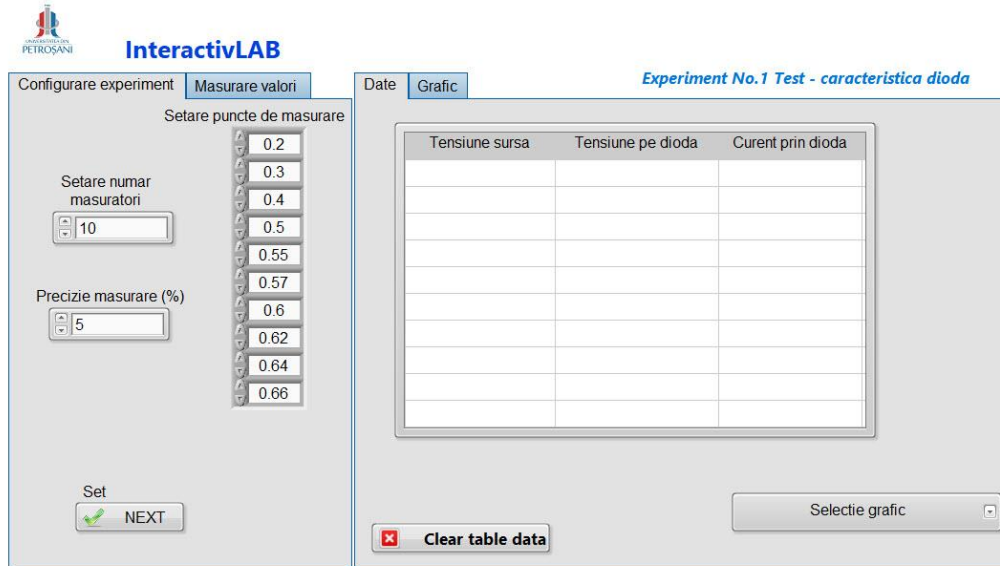
For this application the front panel, shown in Fig.6 and Fig.7, has two main windows through which the user sets the experiment steps and read the obtained results,

The front panel is divided into two windows used for: carrying out the procedure of raising the static characteristic and for displaying the obtained results, respectively. In these windows are used the following controls:

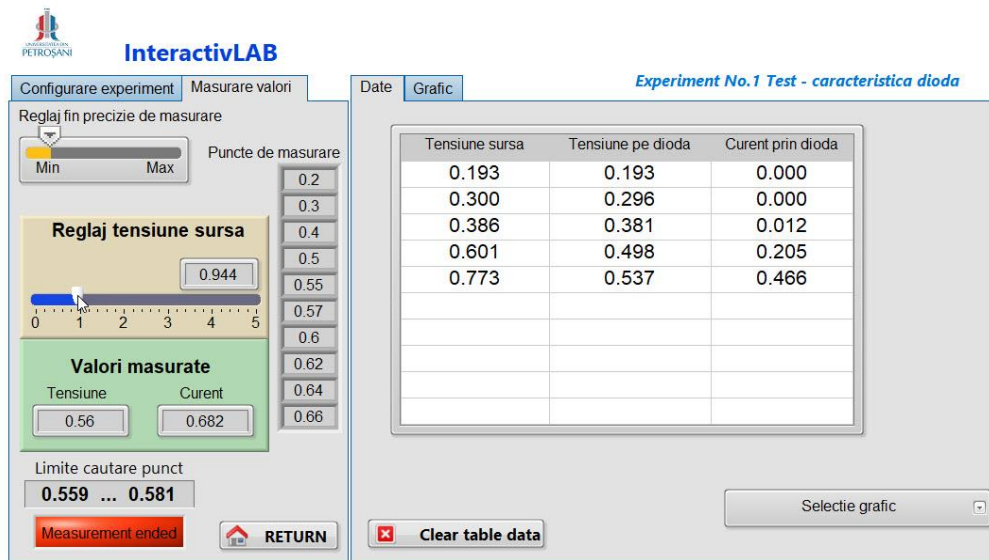
- two **Tab** controls through which the user can switch between the configuration of the experiment (**Configurare experiment**) or effective measurement (**Masurare valori**) windows, respectively the tabular (**Date**) or graphical display of the values (**Grafic**);

PROCEDURE FOR THE STUDY OF ELECTRONIC DEVICES  
BY VIRTUAL INSTRUMENTATION

- two Boolean controls for the end of the process (**RETURN**) and respectively for the deletion of the values and the resumption of the acquisition and processing process (**Clear table data**);
- a **Ring** control for choosing the graph (**Selectie grafic**).



**Fig.6.** Experiment configuration front panel



**Fig.7.** Experiment measurement front panel

Thus, through **Configurare experiment**, the number of points where the measurement will be made, the values of the set quantity, in this case, the voltage, and the identification precision of the dependent quantity, in this case, the current, are

established. At the same time, depending on the number of points, the size of the table that will be completed with the measured values is measured

The next step is the proper experiment and the user has on the front panel, presented in Fig.7, a set of numerical type controls through which he will establish:

- the number of points based on which the static characteristic will be drawn;
- the set of values  $V_{Di}$  (Puncte de masurare) of the voltage on the diode in relation to which the set of  $I_{Di}$  values of the current through the diode will be measured;
- two **Slide controls** for the control of the supply voltage (V1 Reglaj tensiune sursa) and respectively for the choice of the tolerance  $tol$  (Reglaj fin precizie masurare) for establishing the  $V_{Di}$  values;

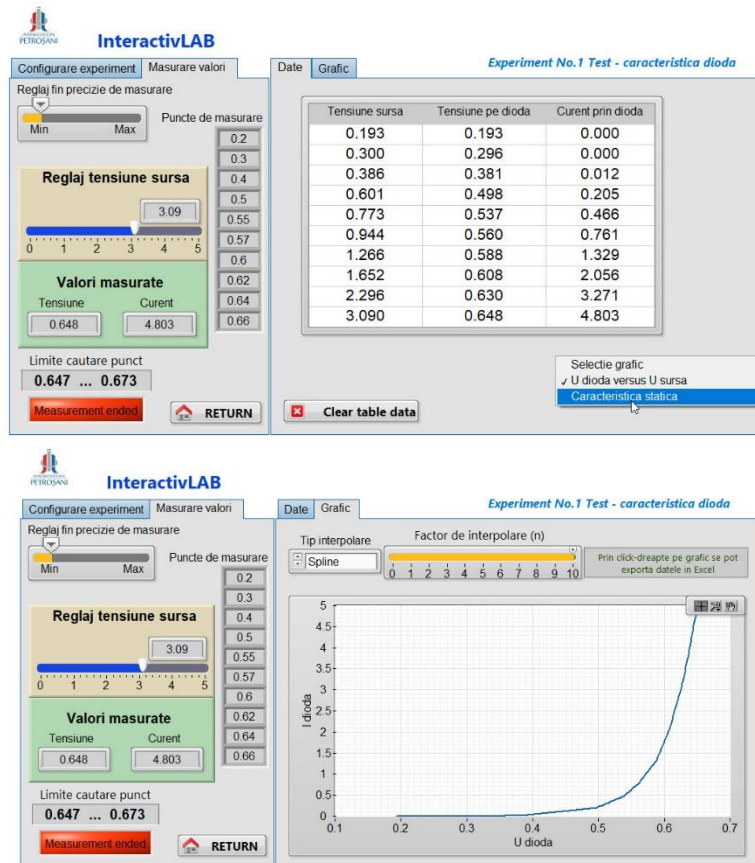


Fig.8. Screenshots of the front panel for measured data

To display the measured data and the processing results, numerical and graphical indicators are arranged on the front panel, depending on the window chosen by the user, as follows:

- the indicators Tensiune sursa, Tensiune pe dioda, and Curent prin dioda which will display the current values of these measured quantities;



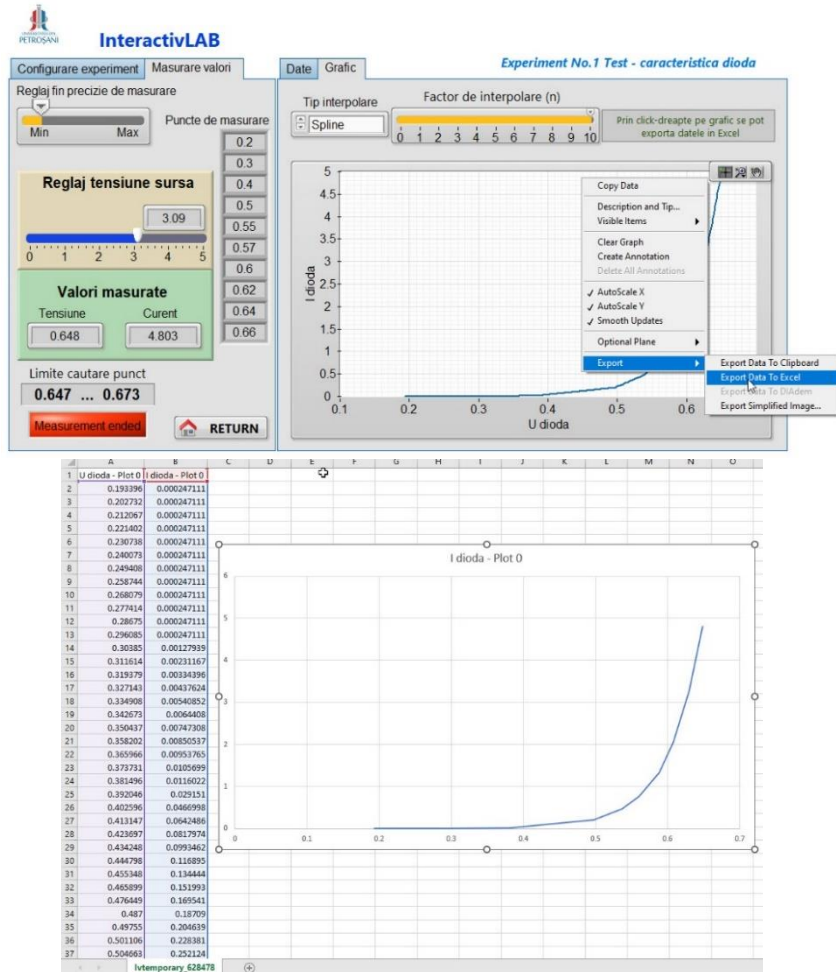
PROCEDURE FOR THE STUDY OF ELECTRONIC DEVICES  
BY VIRTUAL INSTRUMENTATION

---

- a tabular indicator that displays the values as they are acquired;
- a graphical indicator whose orthogonal axes can be set by choosing the sizes whose dependence is displayed.

In Fig. 8 are shown two screenshots obtained during the operation of the virtual instrument for measured and processed data.

All data measured during the experiment can be extracted from the graphic form of the static characteristic and exported and used in Excel, as shown in fig.9.



**Fig.9.** Export and use of data in Excel

**c) Block Diagram of the Virtual Instrument**

The block diagram represents the actual program based on which the virtual instrument works. It is made using programming structures, functions and operations available in LabVIEW libraries.

The block diagram of this application, shown in Fig.10 and Fig.11, determines the operation of the virtual instrument in a sequence of logical sequences made by using the Sequence structures.

Thus, a first such structure consists of two sequences through which the setting of the operating parameters of the instrument is performed, in the first sequence, and respectively the data acquisition and processing in the second sequence is performed.

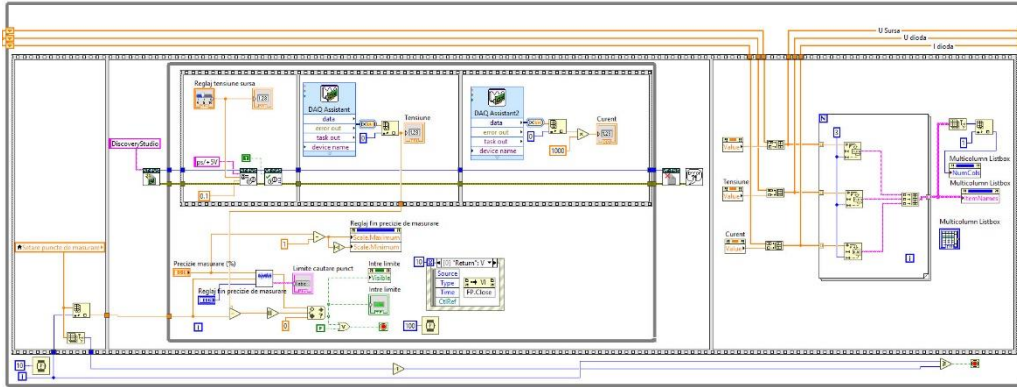


Fig.10. Block diagram of the virtual instrument

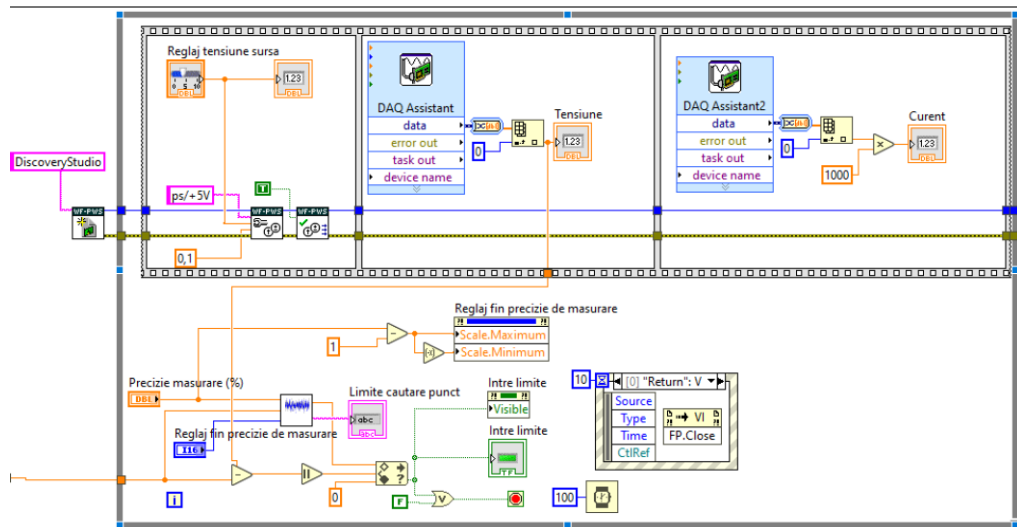


Fig.11. Data acquisition sequence

The end of the first sequence is made at the user's request, through the NEXT button, after completing the procedure for setting the operating parameters. Also the end of the second sequence is made at the request of the user, through the Return button and which becomes active only after acquiring the entire package of values  $\{V_{Di}\}$  and  $\{I_{Di}\}$ . For both sequences, the stop conditions correspond to a While loop.

The operation of the program in the second sequence is also done through its sequencing in three sequences.

Thus in the first sequence, it is done simultaneously with the setting of the values of the vector  $\{V_{Di}\}$  through the values of the supply voltage and the measurement of the corresponding values of the current through the diode resulting in the values of the vector  $\{I_{Di}\}$ .

PROCEDURE FOR THE STUDY OF ELECTRONIC DEVICES  
BY VIRTUAL INSTRUMENTATION

---

In the second sequence in this part, the table of values is constructed by populating it with each pair of values after each reading.

In the third sequence from the same part of the program, the graph is built according to the user's options.

#### 4. CONCLUSIONS

The results obtained and the operation of the virtual instrument by combining the two hardware and software components are prerequisites for the development of the instrument so that the functional study can be applied to various systems by the "black box testing" method. The concepts of the black box testing method come from the analysis of software applications that focus on testing systems mainly on their inputs and outputs and are based entirely on their requirements and specifications. It is also known as behavioral testing.

Even if this paper presents a minimalist example of system implementation, the paper has achieved its goal by highlighting the new concepts used as well as presenting new generation hardware equipment used.

The graphical interface of the entire program presented in this paper is very intuitive and can be used without problems in an extremely short time. The possibility of creating executable kits of the program together with the possibility of creating a web server dedicated to the entire system, will bring a special portability of the solution and will guarantee easy access to the entire suite of training resources of all those interested.

#### 5. ACKNOWLEDGMENT

This work is part of the CNFIS-FDI-2022-0160 project financed from the funds of the Ministry of Education, which provides for the development of an interactive laboratory for the control through virtual instrumentation of the students' practical training activities, generically called InteractivLAB.

#### REFERENCES

- [1]. **Bates I., Maganga O.**, *Light tracking system for teaching laboratory use*, IFAC-PapersOnLine 50.1, pp. 15698-15703, <https://doi.org/10.1016/j.ifacol.2017.08.2407>, 2017.
- [2]. **Choudhary A., Singh S. A., M. F. Malik, A. Kumar, M. K. Pathak, V. Kumar**, *Virtual lab: Remote access and speed control of DC motor using Ward-Leonard system*, 2012 IEEE International Conference on Technology Enhanced Education (ICTEE). IEEE, DOI: 10.1109/ICTEE.2012.6208666, 2012.
- [3]. **Ertugrul N.**, *Towards virtual laboratories: A survey of LabVIEW-based teaching/learning tools and future trends*, International Journal of Engineering Education 16.3, pp. 171-180, 2000.
- [4]. **Hinov N., Hranov T.**, *Smart training environment for power electronics*, AIP Conference Proceedings. Vol. 1910. No. 1. AIP Publishing LLC, <https://doi.org/10.1063/1.5014011>, 2017.

[5]. **Mavi A., Özmen A., Ertuğrul M.**, "*Analyzing and Presenting Data with LabVIEW. LabVIEW-History*", Applications, Current Trends and Perspectives. IntechOpen, DOI: 10.5772/intechopen.96130, 2021

[6]. **Rana K.P.S, Vineet K., Mendiratta J.**, *An educational laboratory virtual instrumentation suite assisted experiment for studying fundamentals of series resistance–inductance–capacitance circuit*, European Journal of Engineering Education 42.6, pp.1220-1239, DOI: 10.1080/03043797.2017.1284764, 2017.

[7]. **Teodorescu R. M.**, *Virtual Tool for Analysis of Some Elemental Signals*, 12th International Conference on Electronics, Computers and Artificial Intelligence (ECAI - 25-27 June 2020), IEEE, DOI: 10.1109/ECAI50035.2020.9223149, 2020.

[8]. **Titov, E. Titov**, Labicom. net—*Putting your laboratory online in less than five minutes with WebPager tool: Automatic generation and real-time control of a LabVIEW based laboratory server from pluginless HTML page*, 2013 2nd Experiment International Conference, IEEE, DOI: 10.1109/ICTEE.2012.6208666, 2013.